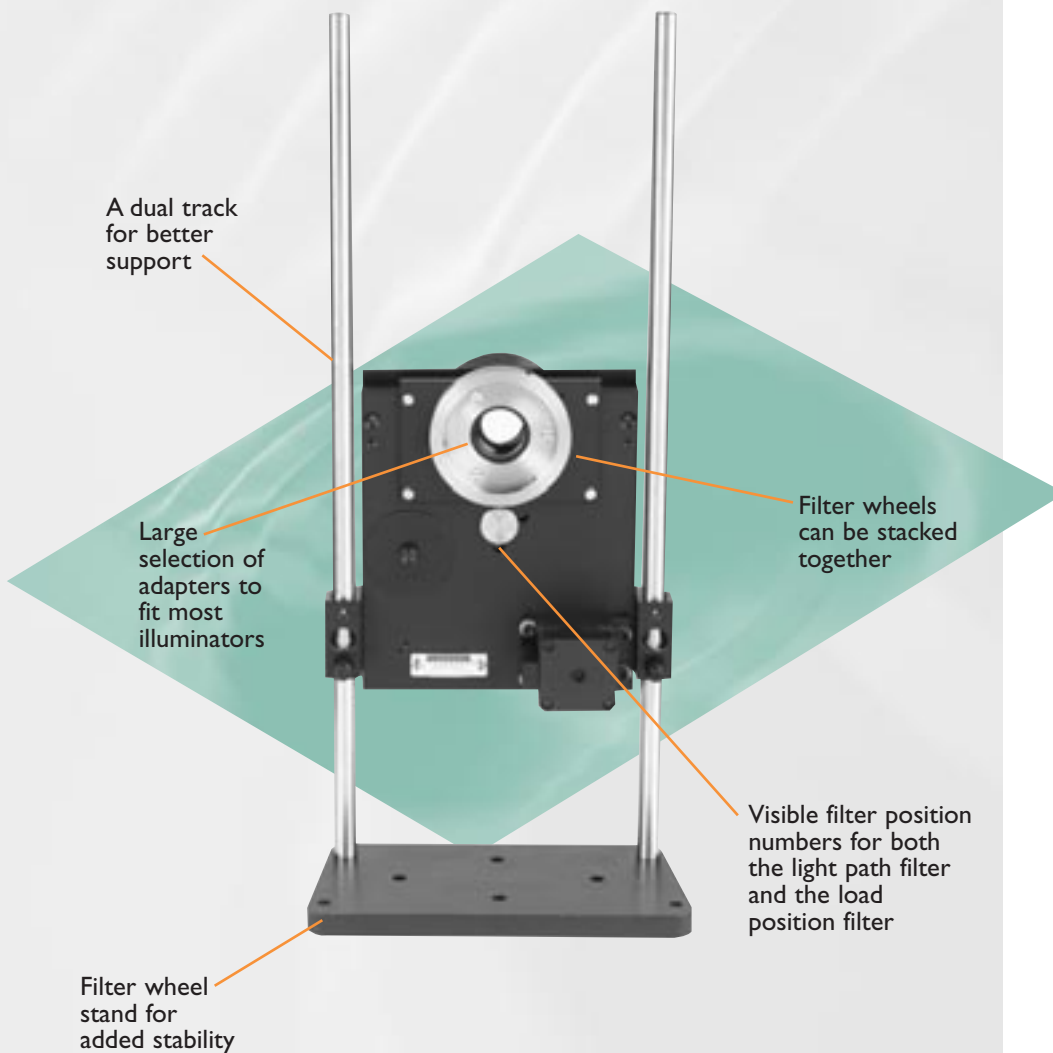


# Motorized Filter Wheels

**PRIOR**  
Scientific

## High-Speed Filter Wheel System

### Features



The Prior Scientific Filter Wheel System can be provided as a stand alone unit with either the OptiScan or ProScan™II Controller or used in conjunction with the ProScan™II or OptiScan Stage and Focus Systems.

Features of the Filter Wheel System include:

- The ability to mount on the illumination or emission side of the microscope
- Available for 25mm (10 position) or 32mm (8 position) filters
- A large selection of adapters to fit most illuminators
- Filter wheel position and shutter status are controlled via either RS232 or an optional keypad
- Filter Wheels can be stacked together in series
- Magnetic covers over the filter load position on both sides of the Filter Wheel for easy access to change filters
- Visible filter position numbers for both the light path filter and the load position filter
- Filter Wheel Stand for added stability
- Optional Dual Slide in Neutral Density Filter Holder

Prior stages have an established reputation for quality and reliability. They are manufactured using high-quality components. For the Filter Wheel system and all its products, Prior provides support and service through an extensive network of knowledgeable, professional dealers.

## General Specifications\*

### Filter Wheels

10 position, 25mm filters  
8 position, 32mm filters

### Filter Wheel Speed

55ms between adjacent positions for the HF110. (120ms for OptiScan)

### Filter Wheel Weight

3.2 kg (7 lbs)

### Controller

Driven via ProScan or OptiScan Controller

### External Control

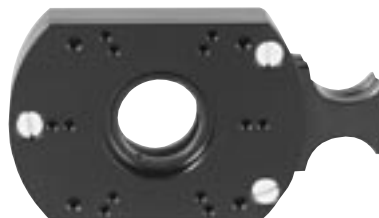
Optional Filter Wheel Keypad

\*Specifications subject to change without notice



## High Speed Shutters

The high speed shutter has a 40 Hz. maximum frequency of operation. The shutter can be opened and closed completely in as little as 10 ms.



## Ordering Information

500-HF110	Filter wheel 10 pos./25mm
500-HF108	Filter wheel 8 pos./32mm
500-CS100K	Keypad for manual control of filter wheels and shutters
500-HF200	Shutter, 25mm, mounted to HF110
500-HF201	Shutter, 32mm, mounted to HF108
500-HF202	Shutter, 25mm, stand alone
500-HF204	Shutter, 32mm, stand alone
500-HF205	Dual slide in filter holder 25mm

## Filter Wheel Keypad

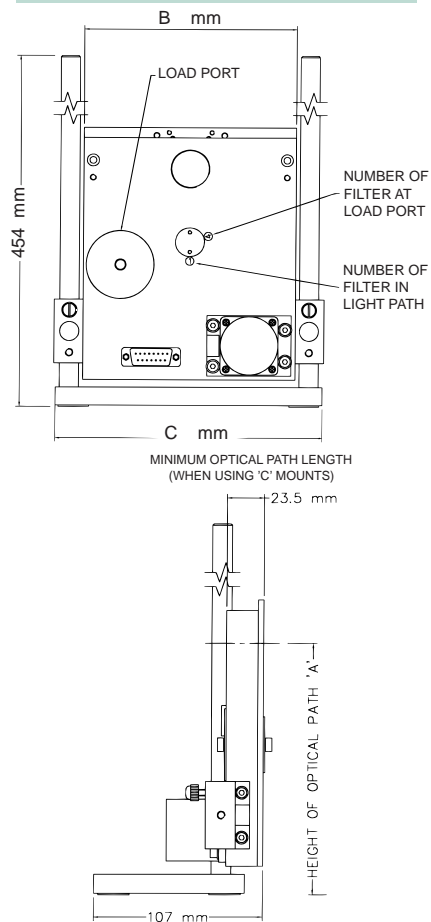
The optional filter wheel keypad allows the user to easily select any filter position from either one or two filter wheels. This is done by simply selecting the appropriate filter position key.

## Dual Slide-In Filter Holder

The dual slide-in filter holder mounts to the filter wheel and holds two neutral density or IR filters.

### Dimensions:

'A' Maximum on stand 540mm  
'A' Minimum on stand 34mm  
'A' Minimum off stand 28mm  
'B' for HF110 - 141mm  
'B' for HF108 - 159mm  
'C' for HF110 - 179mm  
'C' for HF108 - 195mm



# PRIOR

Scientific

PRIOR SCIENTIFIC INSTRUMENTS LIMITED,  
UNIT 4, WILBRAHAM ROAD, FULBOURN, CAMBRIDGE CB1 5ET  
TELEPHONE 01223 881711 FAX 01223 881710

PRIOR SCIENTIFIC INC.,  
80 RESERVOIR PARK DRIVE, ROCKLAND, MA 02370-1062  
TELEPHONE 781-878-8442 FAX 781-878-8736

VISIT PRIOR ON THE WEB AT <http://www.prior.com>