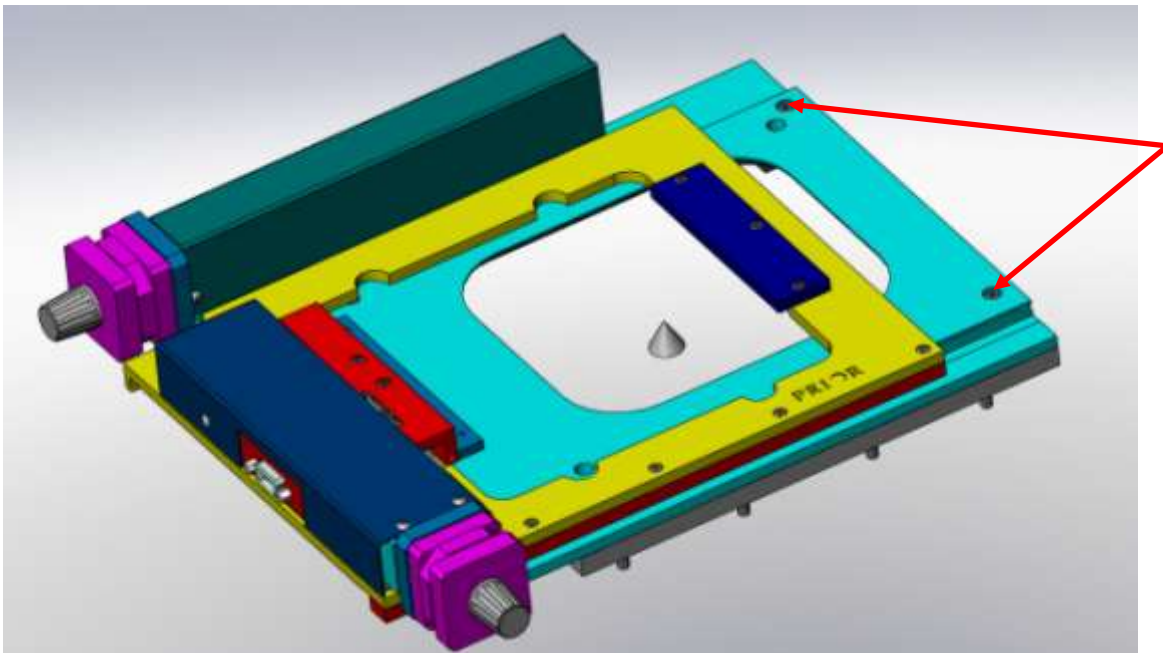
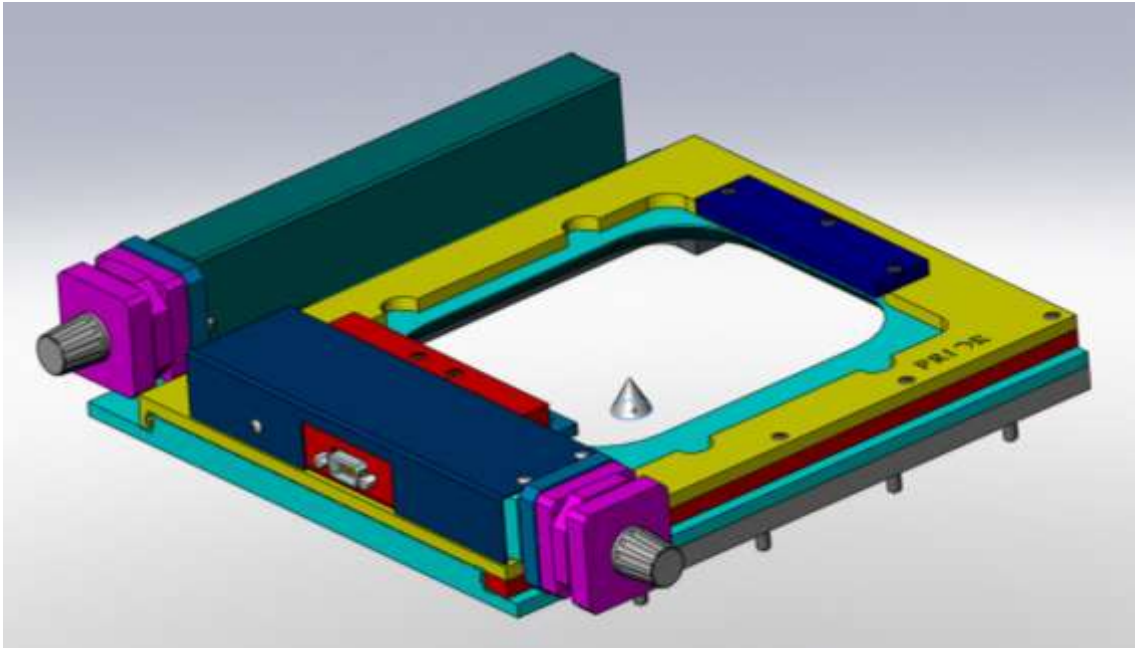
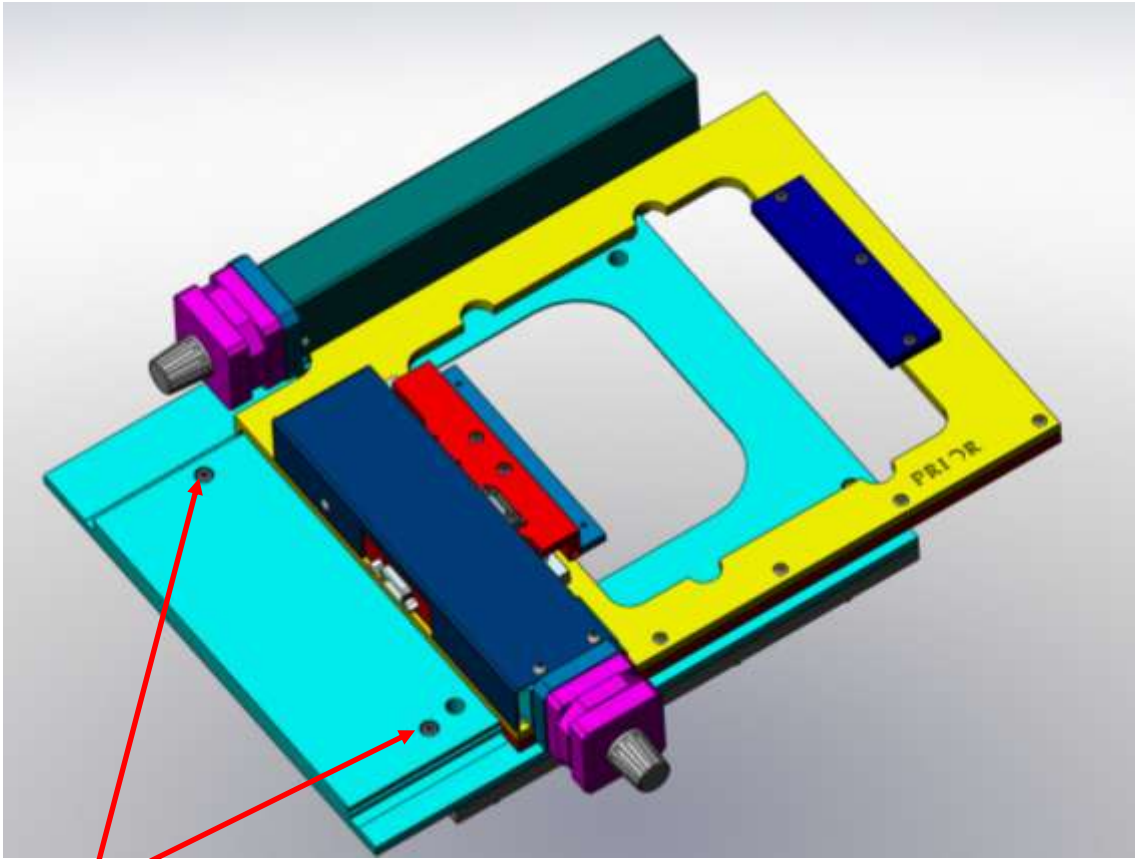


HOW TO FIT ES107IX STAGE TO IX MICROSCOPE.

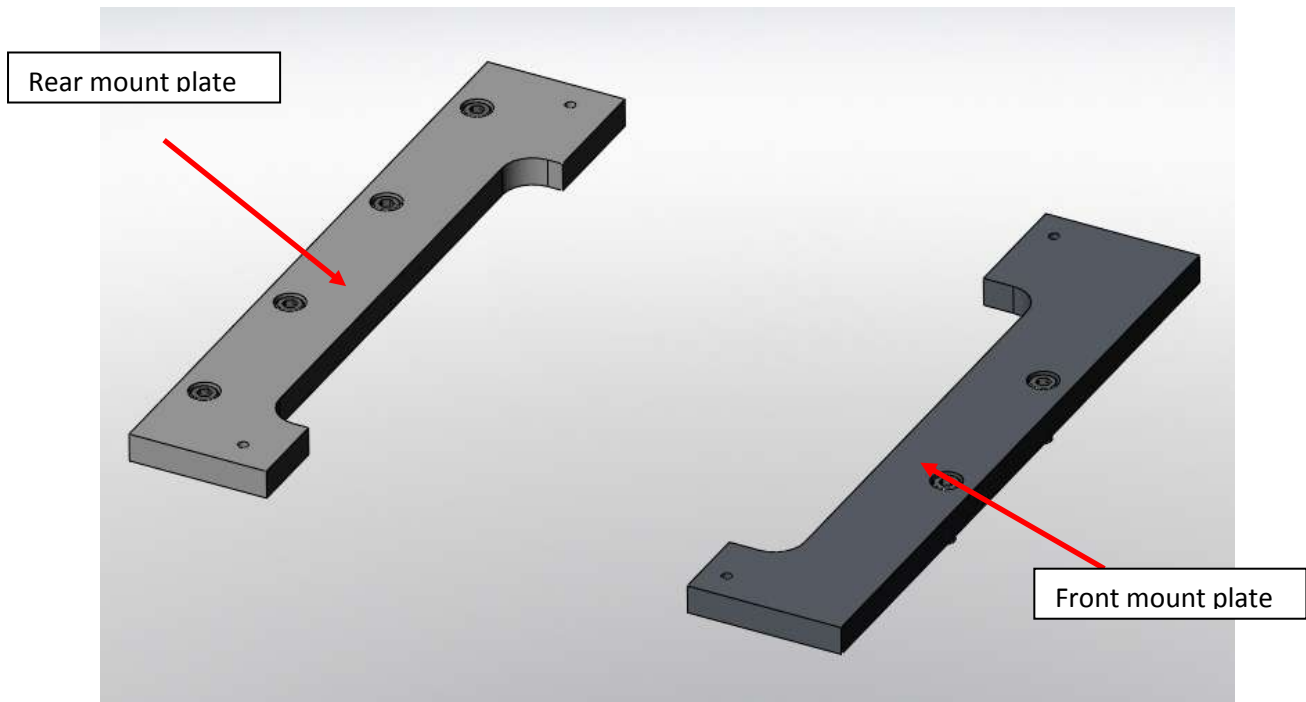


Manouvre stage to left to gain access to screws. Remove screws.

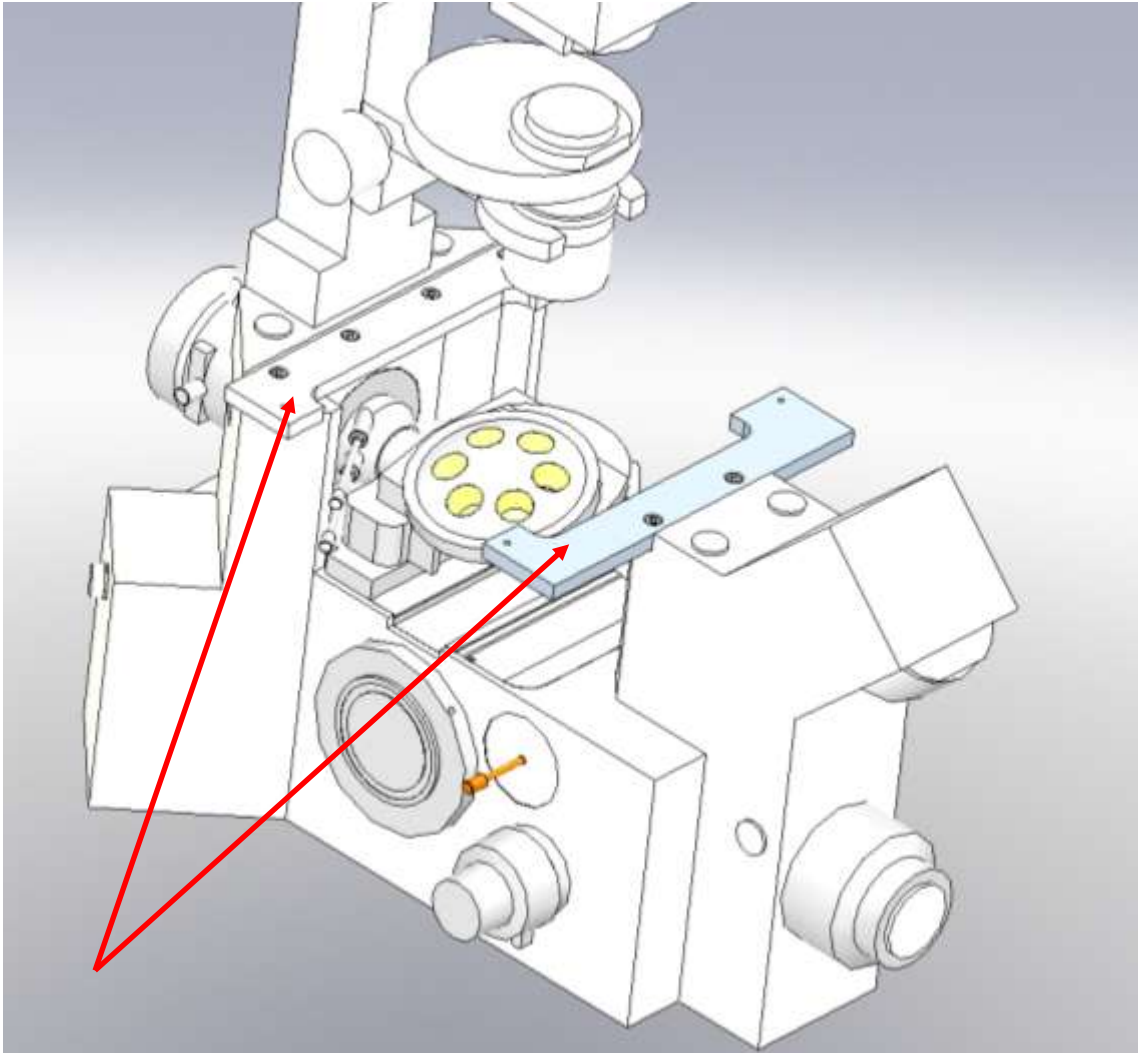


Manoeuvre stage to right to gain access to screws. Remove screws.

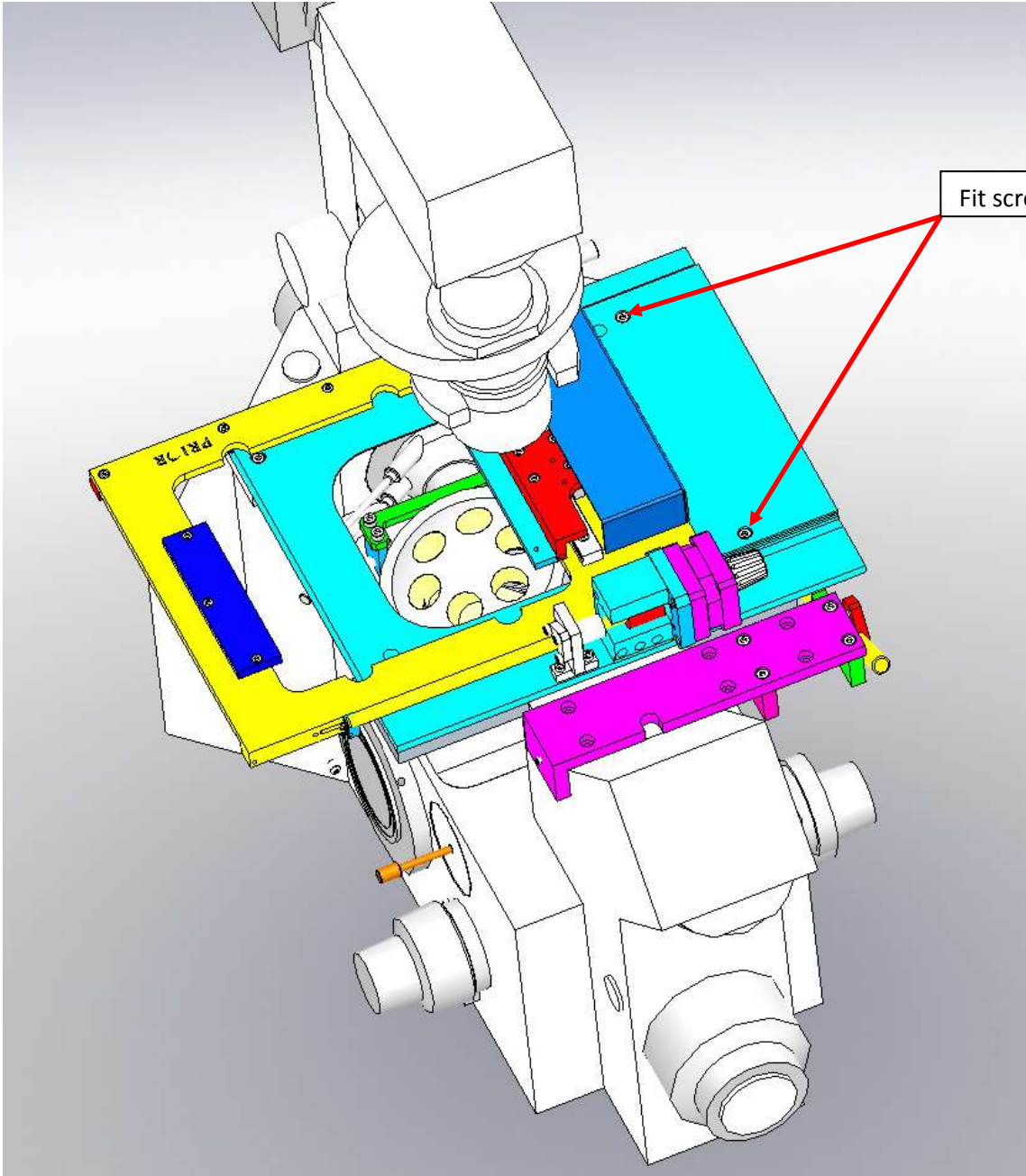
With both sets of screws removed the mounting plates can be removed.



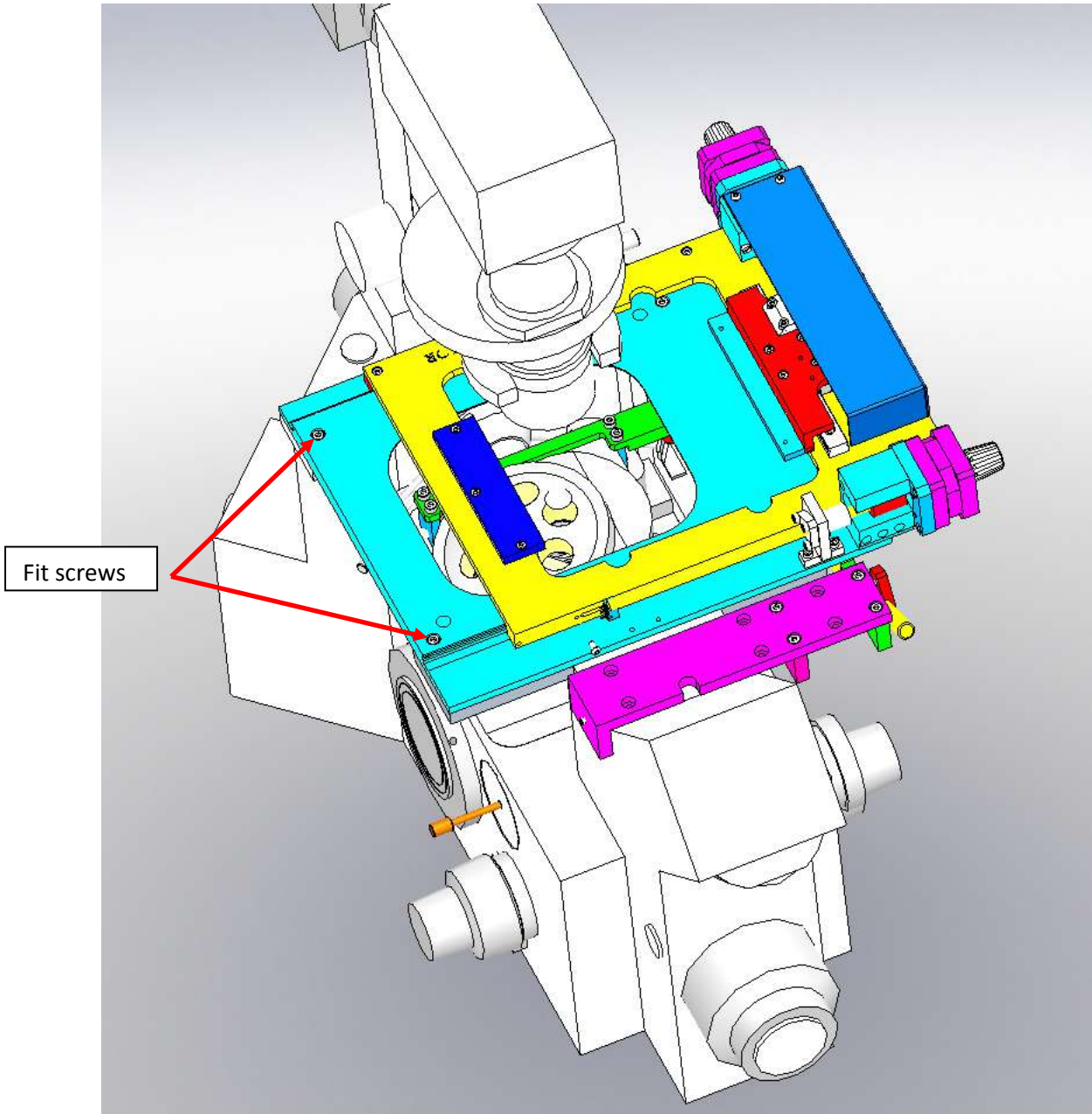
Fit 'mount plates' to microscope.



'Mount plates' fitted to microscope.



Position stage onto 'mount plates' as shown. With stage to left re-fit screws.



With stage to right re-fit second pair of screws.