

Specimen Holders for ProScan and OptiScan Scanning Stages

For the widest selection of sample types.

Prior Scientific offers a range of specimen holders to complement their market leading range of motorised scanning stages .

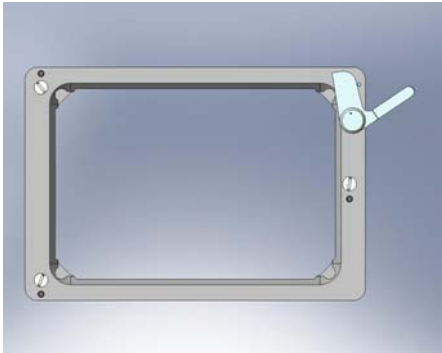
These inserts are compatible with the ProScan HI01 stage for upright microscopes, HI07 and HI17 stages for inverted microscopes. They can also be used with the ES111 and ES107 OptiScan stages for upright and inverted microscopes respectively.

Designed to position specimens in exactly the right plane to ensure both through focus and Kohler illumination these stage inserts enable inspection of practically any specimen type.

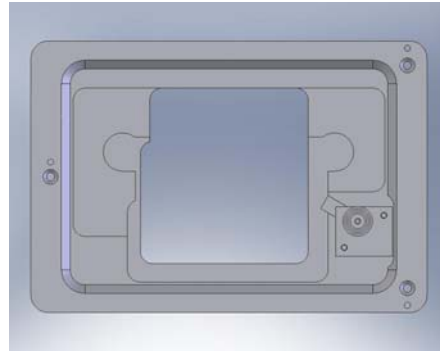
Should a requirement arise to examine a specimen type not compatible with one of these standard inserts Prior are happy to offer customised solutions for such samples.



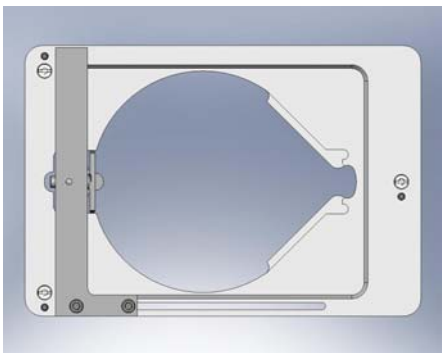
Specimen Holders



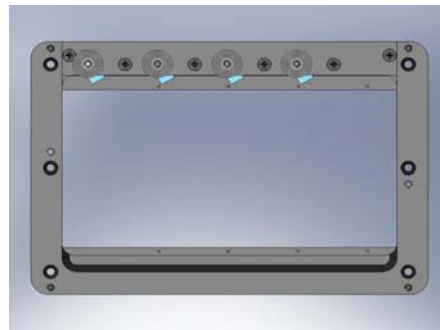
H223R Recessed Specimen Holder for use with Multi Well Micro-Titre Plates.



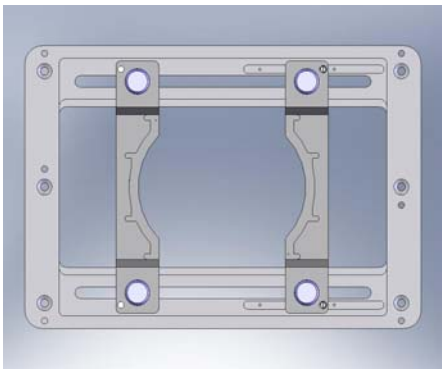
H224 Specimen Holder Designed for use with a single 76 x 26mm Glass Slide.



H229 Universal Petri Dish Holder for Dishes up to 90mm in Diameter.



H234 Specimen Holder for use with four 76 x 26mm Glass Slides.



H473 Universal Specimen Holder Designed to hold a single 76 x 26mm Glass Slide, Dishes with a maximum diameter of 65mm or small flasks.

Additional Specimen Holders

- H223RT Terasaki Plate Holder
- H224ROT Rotating Single Slide Holder
- H229D35D Dual 35mm Petri Dish Holder
- H229D35T Triple 35mm Petri Dish Holder
- H230 Solid Aluminium Plate
- H236 Holder for 4 Lab-Tek Slides with 1,2,4 or 8 Chambers.
- H240 Motorised Rotating Holder
- H649 Holder for Metallurgical Samples 1", 1.25" and 1.5" Diameter
- H656 Holder for a single 1.25" Met. Sample
- H657 Holder for a single 2" Met. Sample
- H658 Holder for 6 1.25" Met. Samples
- H659 Holder for a single 1.5" Met. Sample



CERTIFICATE NO: FM 61600
STANDARD: BS EN ISO 9001:2000

Prior Scientific Instruments Limited

3-4 Fielding Industrial Estate, Wilbraham Rd, Fulbourn
Cambridge, CB1 5ET. Telephone 01233 881711 Fax 01223 881710

VISIT PRIOR ON THE WEB AT **WWW.PRIOR.COM**